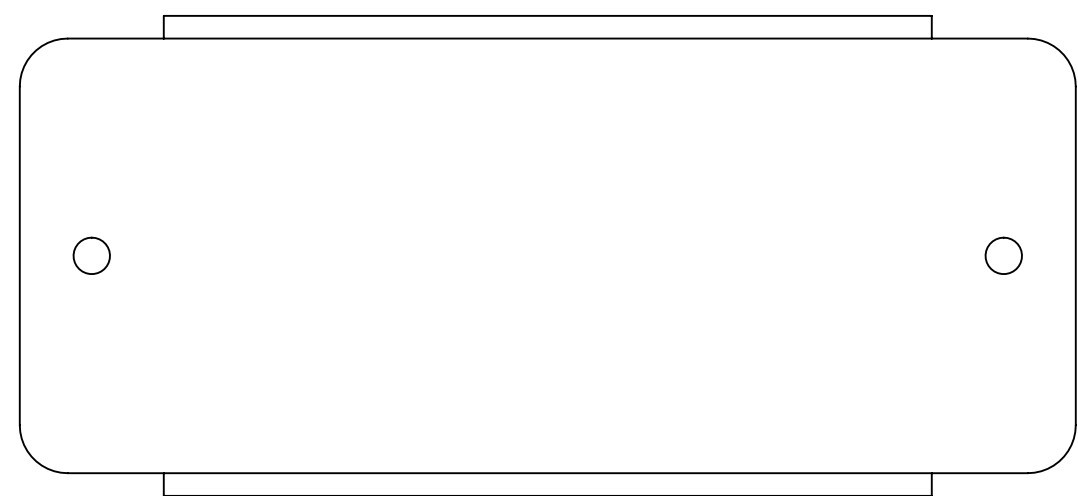
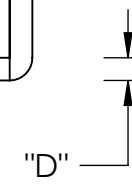
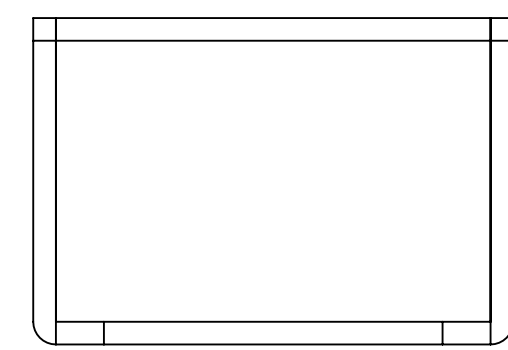
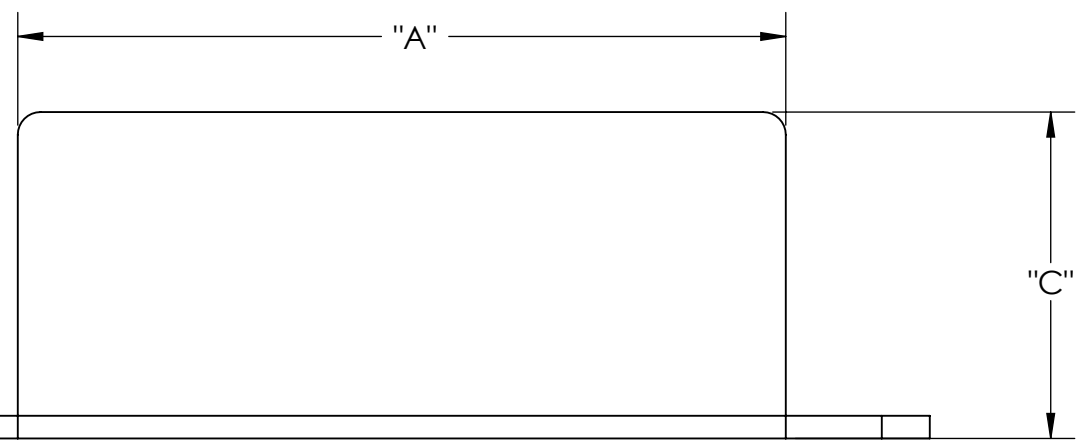
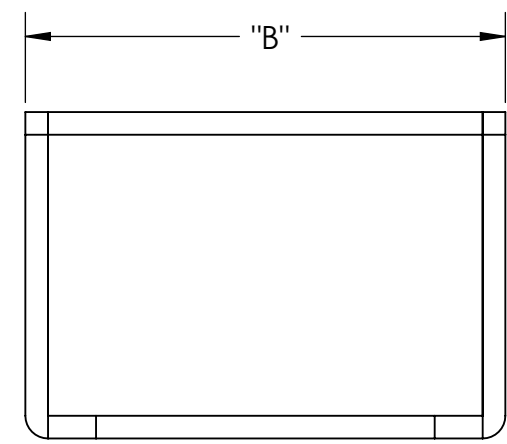
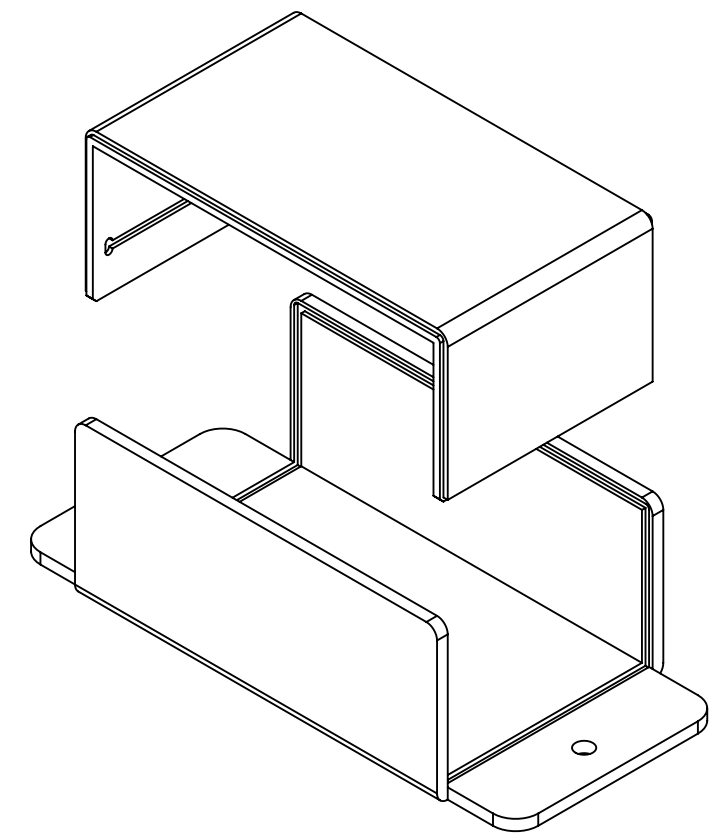
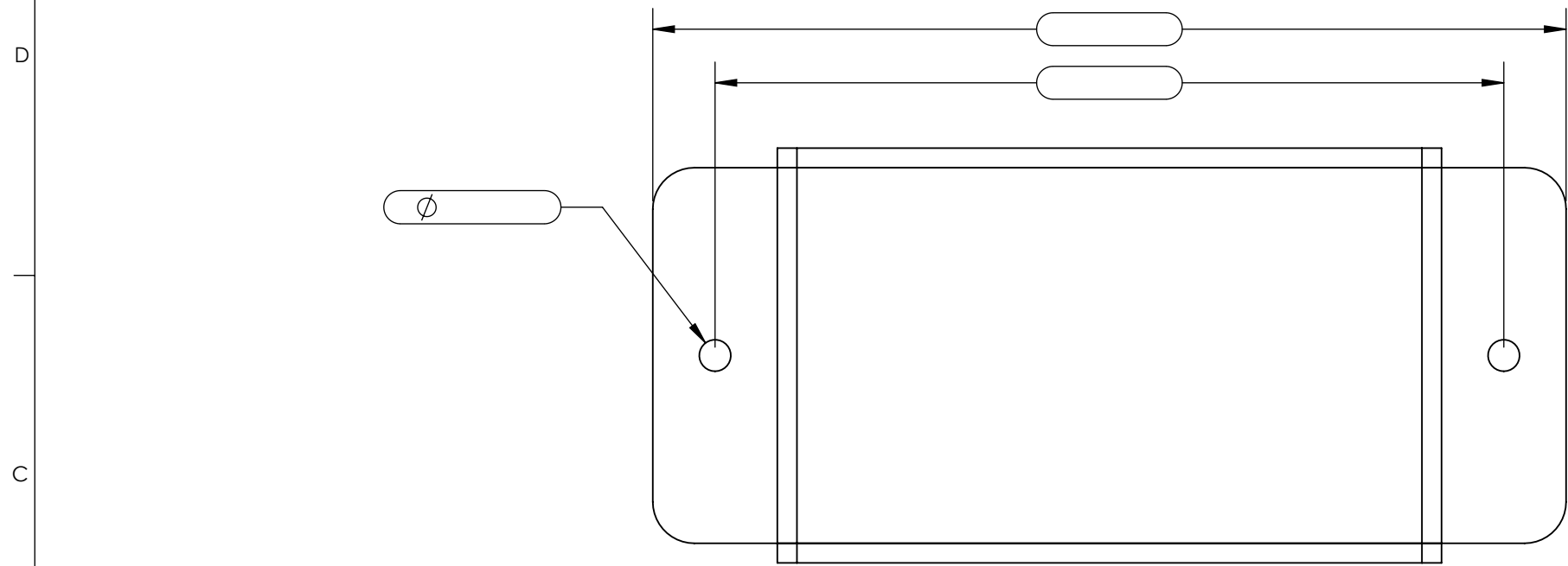


8	7	6	5	4	3
MATERIAL TYPE (ABS, HIPS, ETC)	COLOR (BLACK, GRAY, ETC)	"A" BOX LENGTH	"B" BOX DEPTH	"C" BOX HEIGHT	"D" BOX MATL THICK (3mm, 4mm)
			UL FLAME RATING (HB, VO, ETC)	UV COATING (OUTDOOR USE) (YES/NO)	EMI COATING INSIDE (SHIELDING)
				PCB STANDOFF QUANTITY	SILKSCREENING REQUIRED



NOTE: COMPLETE ALL TAB INFORMATION AT TOP OF DRAWING & SKETCH APPROX HOLES ON BOX.

ENVISION KB #	UNLESS OTHERWISE SPECIFIED DIMENSIONS ARE IN INCHES TOLERANCES ARE: FRACTIONS DECIMALS ANGLES +/- 1/32 .XX +/- .02 +/- 1 - .XXX +/- .010		ENVISION PLASTICS & DESIGN	
CAD GENERATED DRAWING, DO NOT MANUALLY UPDATE DO NOT SCALE DRAWING	CBW	DATE 10/7/10	BOX QUOTE WORKSHEET	
APPLICATION	MATL: PLASTIC FINISH: TEXTURE OUTSIDE	SIZE B	DWG. NO. UU_BOX_W_TABS	REV. -
SCALE: 1:1	CADFILE:\Engineering Files\Envision Solidworks\ENVISION\SAMPLES\WEBSITE\		SHEET 1 OF 1	